

MAUCH® KNEE



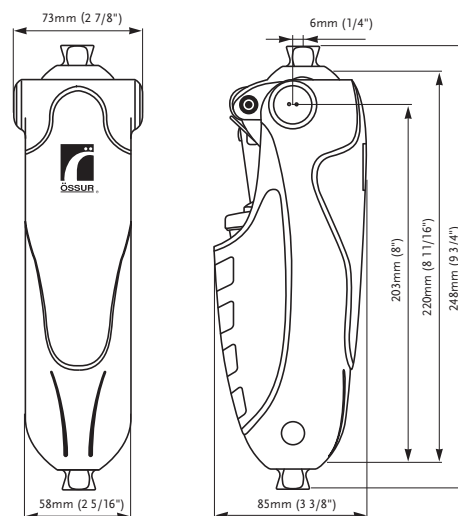
Don't be fooled by the sophisticated profile, with the extension stop, lightweight Aluminum construction and enhanced spherical bearings, the Mauch Knee is capable of withstanding the most unpredictable conditions.

- Single axis hydraulic knee system with swing and stance control (SNS®). Designed for multi-speed ambulation.
- Durable and secure motion.
- Ultra-durable Aluminum frame.
- Weight limit of 136kg (300lbs).
- Roller bearings at knee axis and cylinder attachment points for smooth action.
- Yielding stance control.
- Mode selector switch allows manual locking and free swing functions.
- Smooth profile assists with cosmetic finishing.
- Low Swing Resistance kits and High Stance Resistance kits are also available.



PATIENT PROFILE:		PRODUCT INFORMATION:	
Amputation Level:	Transfemoral	Build Height:	248mm (9 3/4")
Impact Level:	Moderate to Extreme	Weight of Knee (with Cylinder):	1.14kg (40oz)
Maximum Patient Weight:	136kg (300lbs)	Flexion:	Stop at 115°

CLEARANCE



MAUCH® KNEE

KITS

PART#	DESCRIPTION
MKN01360	Mauch Knee Kit SNS
MKN01361*	Mauch Knee Kit SNS - Low Swing Resistance
MKN01362*	Mauch Knee Kit Swing Only
MKN01363	Mauch Knee Kit SNS - High Stance

*Special Order

SPARE PARTS

PART#	DESCRIPTION
MKA01361	Knee Ball, Screw, Btn Head
MKA01362	Cover, Front
MKA01363	Cover, Rear, Sub Assembly
MKA01364	Plug, Side
MKA01365*	Extension Stop, Soft
MKA01366*	Extension Stop, Hard

*Special Order