

TOTAL KNEE® JUNIOR



The Total Knee Junior is a small version of the adult models which offers security, natural motion, walking ease, and easy to cosmetically cover. Offering up to 160 degrees of knee flexion makes the Total Knee Junior extremely versatile and natural for children who have a broad range of very high level activities: walking, running, sitting, squatting, and kneeling activities.

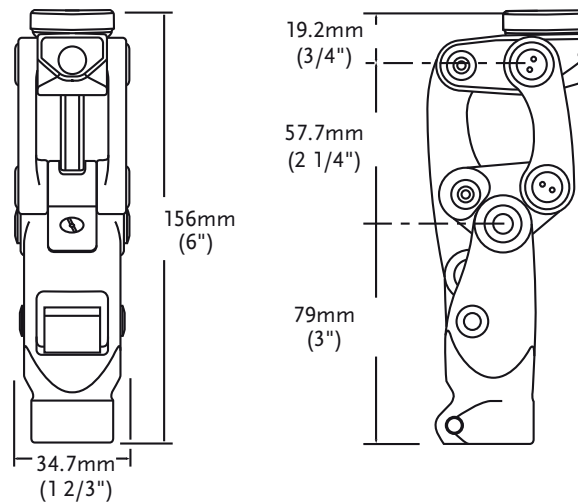
- Polycentric knee with geometric locking system
- Adjustable stance flexion
- Adjustable extension promoter
- Low build height and slender profile



PATIENT PROFILE:	
Amputation Level:	Transfemoral and Knee Disarticulation
Impact Level:	All
Maximum Patient Weight:	45kg (100lbs)

PRODUCT INFORMATION:	
Build Height:	156mm (6")
Weight of Knee:	395g (0.87lbs)
Flexion:	Stop at 160°

CLEARANCE



TOTAL KNEE® JUNIOR

KITS

PART#	DESCRIPTION
1100	Total Knee Junior
1100-KE	Total Knee Junior w/4-prong socket adapter
1100-OS	Total Knee Junior w/male pyramid adapter

COMPONENTS

PEDIATRIC 4-HOLE ADAPTER

An additional option for knee disarticulation

PART#	DESCRIPTION	BUILD HEIGHT	WEIGHT
AJ-122300	Aluminum	8.5mm 5/16"	36g 1.3oz



PEDIATRIC PYRAMID ADAPTER (RATED TO 45KG)

Best indicated for users requiring further alignment adjustments.

PART#	DESCRIPTION	BUILD HEIGHT	WEIGHT
AJ-831300	Aluminum / Titanium Pyramid Insert	17.5mm 11/16"	41g 1.4oz



BUMPER SELECTION CHART

PART#	DESCRIPTION	COLOR	DUROMETER	PATIENT WEIGHT KG
1100-119G	Bumper	Green	Soft	Approx. 14-20kg (30-44lbs)
1100-119B	Bumper	Black	Regular	Approx. 20-29kg (44-64lbs)
1100-119R	Bumper	Red	Firm	Approx. 29-36kg (64-79lbs)
1100-119Y	Bumper	Yellow	Extra Firm	Approx. 36-45kg (79-99lbs)

PEDIATRIC BUMPER AND SHIM KIT

PART#	DESCRIPTION
1100-Kit	A complete set of Bumpers and Shims

Includes:

- One Bumper of each durometer
- One 0.38mm Shim
- One 0.76mm Shim

SHIMS

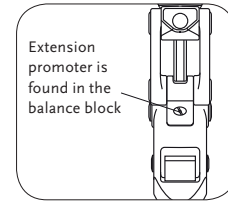
PART#	DESCRIPTION
1100-121A	0.38mm Plastic Shim
1100-121B	0.76mm Plastic Shim

TOTAL KNEE® JUNIOR

COMPONENTS

EXTENSION PROMOTER

The extension promoter assists in reducing excessive heel rise during periods of faster walking or increased activity.



PART#	DESCRIPTION
1105-A	Assists in limiting heel rise, and moving the knee into a fully extended position.

EXTENSION ASSIST

PART#	DESCRIPTION	COLOR	STIFFNESS
1170	Fully assembled extension with yellow spring inserted. Also includes blue spring.	Yellow	Regular
		Blue	Firm

22MM (7/8") CARBON FIBER TUBE KIT

PART#	DESCRIPTION
VFX00002	22mm (7/8") Tube Kit

JUNIOR COSMETIC FINISHING

PICTURE	PART#	DESCRIPTION
1	1145	Junior Shin Ferrule, black. Protects the knee unit and increases ease of foam cover application.
2	1150	Junior Knee Cap, small, black
3	1151	Junior Knee Cap, large, beige

